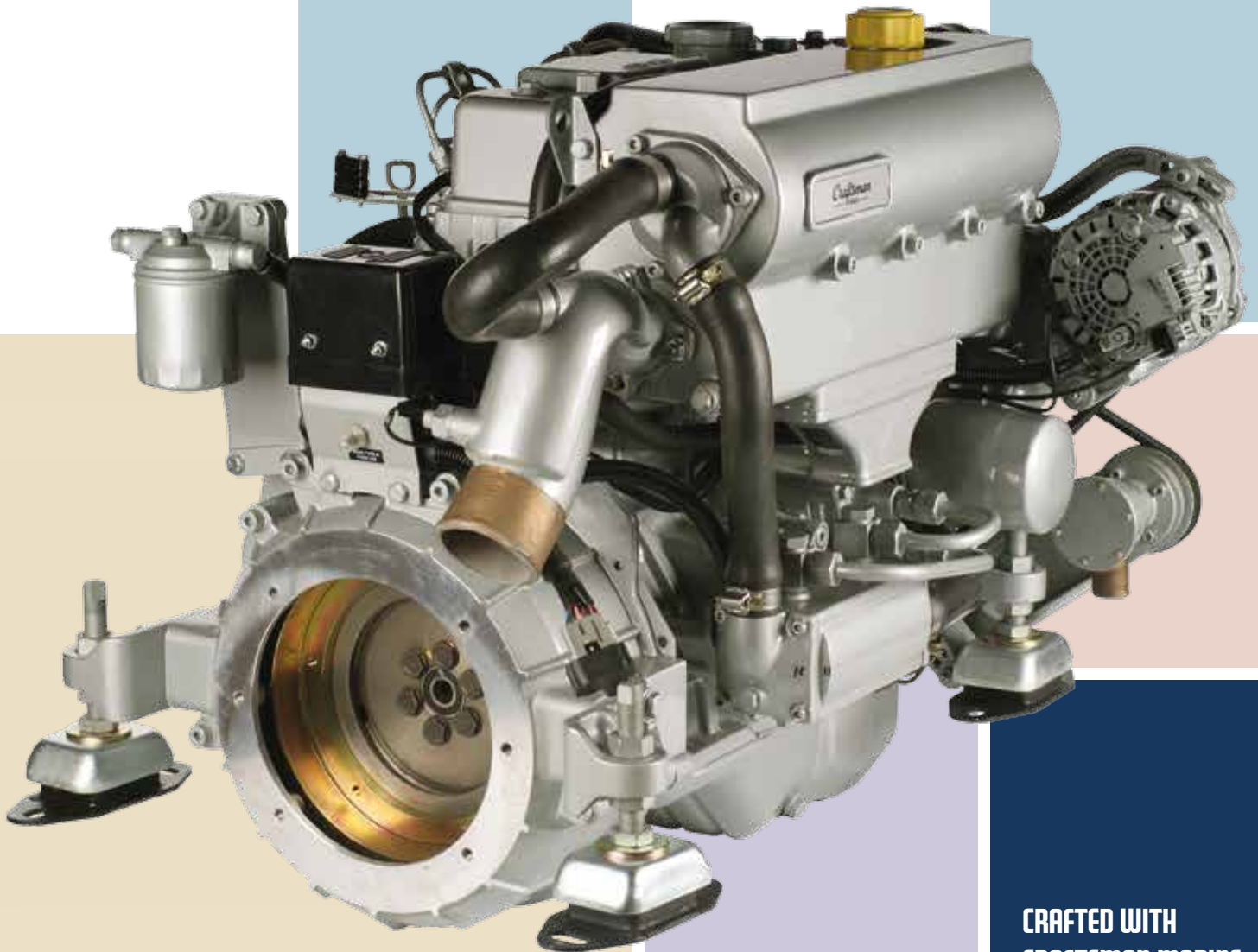


**POWERED
BY QUALITY**



Craftsman
MARINE



**CRAFTED WITH
CRAFTSMAN MARINE**

CM4.65 - 48KW/65HP/@3000RPM - ISO 8665/3046

CM4.80 - 59KW/80HP/@4000RPM - ISO 8665/3046

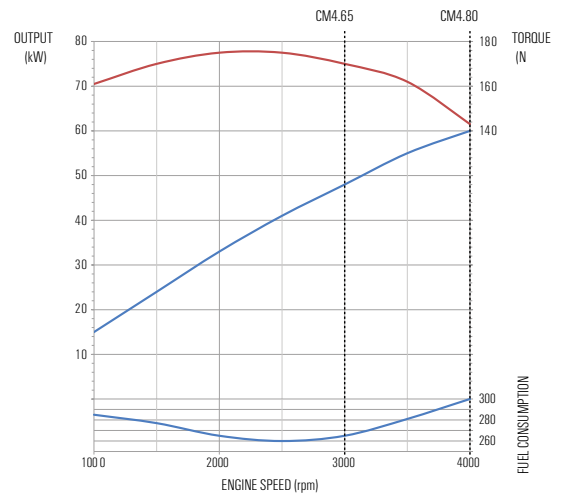
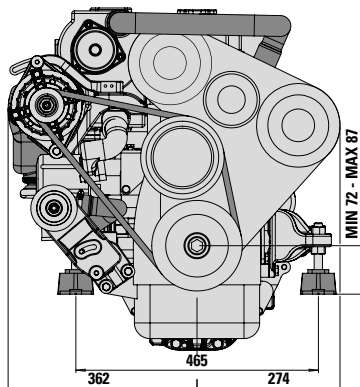
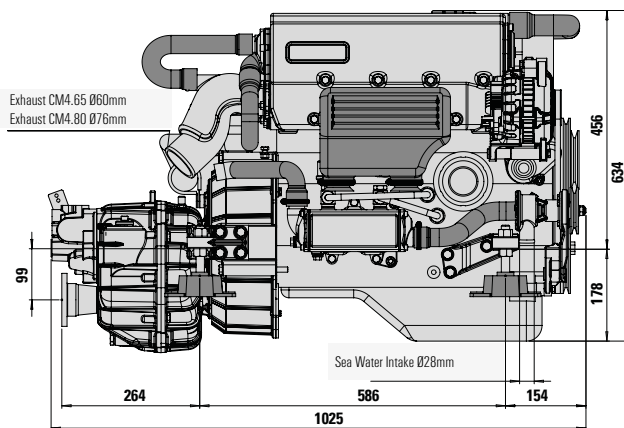
CRAFTSMAN MARINE

DIESEL ENGINE

CM4.65 CM4.80 CRAFTSMAN MARINE



Craftsman
MARINE



General specifications

Basic engine:	Hyundai
Output at flywheel:	48kW/65HP (ISO 8665/3046) 59kW/80HP (ISO 8665/3046)
Maximum torque:	175 Nm
Number of cylinders:	4
Capacity:	2607 cm ³
Aspiration:	natural
Alternator:	110 A / 12V Bosch
Max. installation angle:	10° (backwards)
Maximum revolutions:	3000 rpm (CM4.65) 4000 rpm (CM4.80)
Cooling system:	indirect, with heat exchanger
Flexible engine mountings:	CM type 7
Calorifier connection:	standard
Exhaust diameter:	ø60 mm (CM4.65) ø76 mm (CM4.80)
Electronic protection:	10A circuit breaker
Stop solenoid:	Energised to run
Weight:	235 kg