



CM3.27 20KW/27.2HP

ISO 8665/3046

Optional temperature sensor for cooling water



Assets:

- Seawater resistant cast exhaust bend, providing a long and efficient service life
- Fitted with a 70A Bosch alternator
- Supplied with oil suction pump
- Based on a Mitsubishi industrial engine, proven worldwide and with equally worldwide support

ALSO AVAILABLE AS KEELCOOL

Air inlet silencer

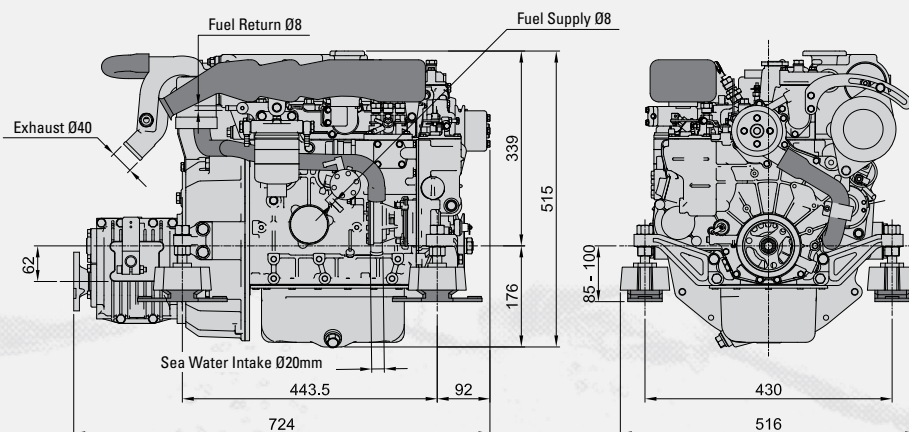
The inlet silencer is designed for optimal air flow to your engine, whilst minimising the noise coming back from your engine through the air intake. Made from durable synthetic material, the air inlet silencer ensures a carefree and relaxed boating experience.



All year long, use a good quality anti-freeze product, protecting your engine against corrosion and frost damage.



Always use good quality diesel fuel, free from water and/or other impurities.



Four flexible engine mountings

See page 31 for the complete range of flexible engine mountings.



Manual stop button

Additional mechanical engine stop button.

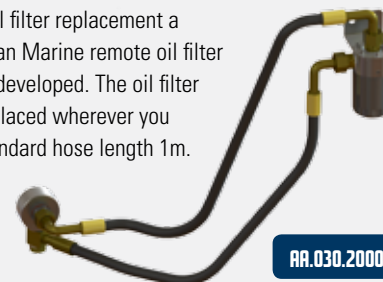


CALORIFIER KIT CM2.16 & CM3.27

AA.020.20000

Optional remote oil filter

Changing the oil filter can become difficult once the engine is fully installed in your boat. In order to accommodate an easier and faster oil filter replacement a Craftsman Marine remote oil filter kit was developed. The oil filter can be placed wherever you like. Standard hose length 1m.



AA.030.20000